



ULTRASOUND, INC.

# PENCIL PROBES

**TLC PART NUMBER:** PTR-100E

**TYPE:** CONTACT/DELAY LINE

**DAMPING TYPE:** BW 100% NOM

**FREQUENCY:** 11 MHz. NOM

**ELEMENT:** 4.5MM/18"

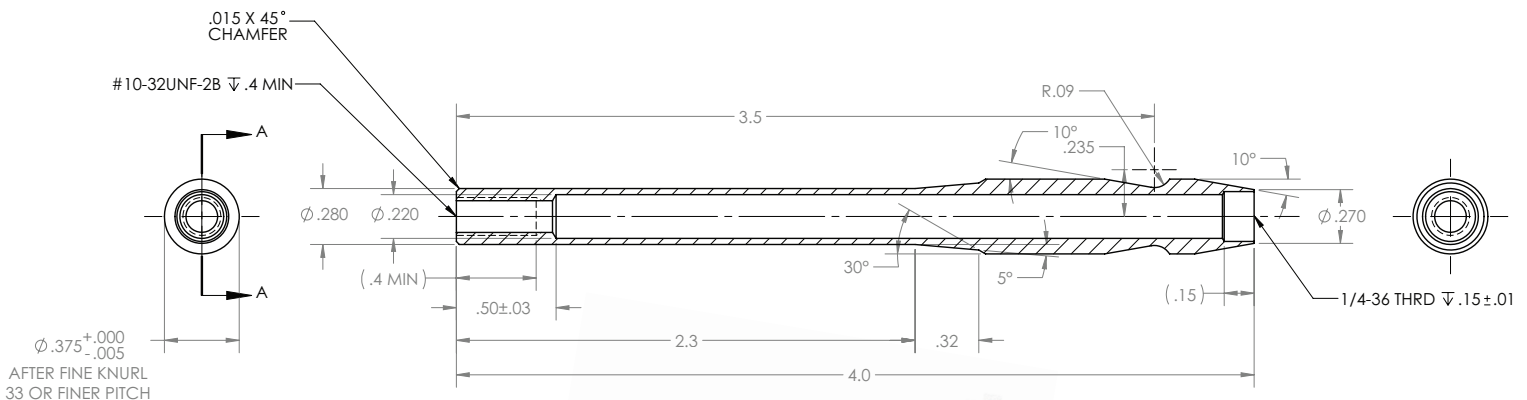
**FOCAL LENGTH:** @ TIP

**HOUSING MATERIAL:** 316 S. ST.

**CONNECTOR:** MICRODOT



This high frequency, focused delay line transducer, is used for thickness gauging from .007" to .3" in steel. It is ideally suited for curved/irregular surface testing. Includes .0625" or .125" contact tip.



**OPTIONS:** REPLACEMENT DELAY LINES

- .0625" OD TIP/10 $\mu$ S DELAY LENGTH
- .125" OD TIP/10 $\mu$ S DELAY LENGTH

**TLC Ultrasound is a leading manufacturer and worldwide distributor of ultrasonic transducers.**

860-354-6333 • [www.tlcultrasound.com](http://www.tlcultrasound.com)