



ULTRASOUND, INC.

IMMERSION

PART: IX0519PC

TYPE: IMMERSION

DAMPING TYPE: BB

FREQUENCY: 5.5 MHz. NOM

ELEMENT: .750"/19MM

FOCAL LENGTH: 6" SPH. FOC

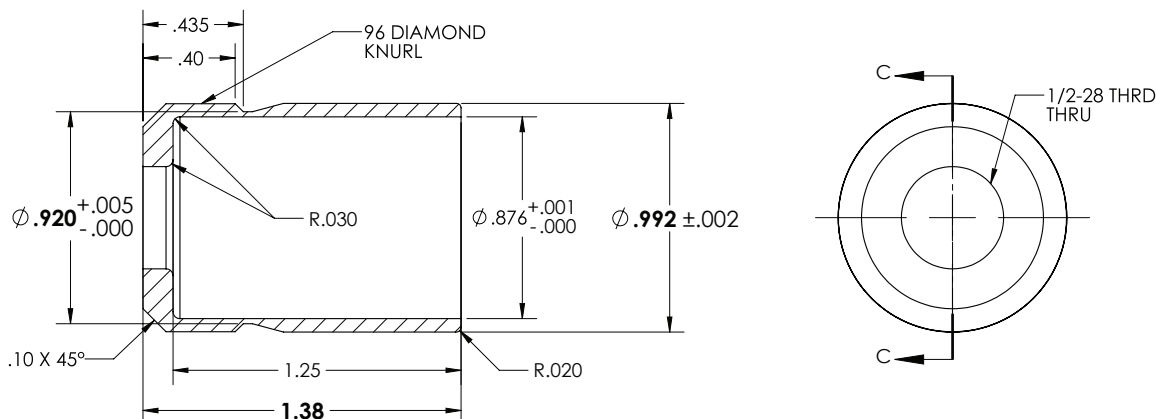
HOUSING MATERIAL: 316 S. ST.

CONNECTOR: UHF



This unit is designed to meet Pratt & Whitney Canada requirements. It is also used extensively to meet Rolls Royce requirements. These are commonly used in the following inspections: Pratt & Whitney-Sim1 and Rolls Royce RP-S705.

5.5 MHz, 0.75" nom. diameter element, S-6" Focus, to resolve to #2FBH @ 0.075" (P&W) with min. s/n of 12dB, and 0.025" FBH @ 0.100 (Rolls) with min. s/n of 16dB. Supplied with Full Documentation, RTWF/Spectrum, Flaw (2) and Beam Profile.



TLC Ultrasound is a leading manufacturer and worldwide distributor of ultrasonic transducers.

860-354-6333 • www.tlcultrasound.com