



ULTRASOUND, INC.

IMMERSION

TLC PART NUMBER: IX0519GC

TYPE: IMMERSION

DAMPING TYPE: BB

FREQUENCY: 5 MHz. NOM

ELEMENT: 19MM

FOCAL LENGTH: 6.5" SPH. FOC

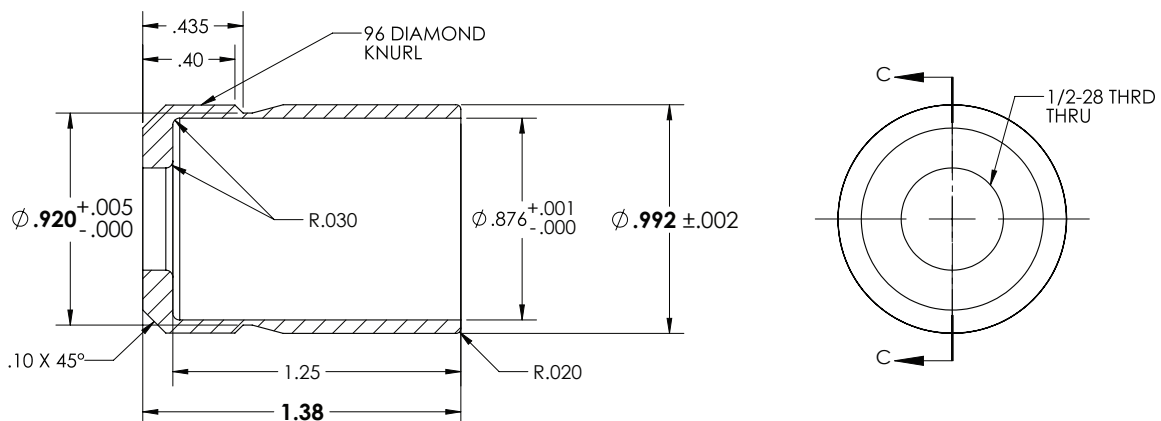
HOUSING MATERIAL: 316 S. ST.

CONNECTOR: UHF



This unit is designed to meet group "B" per GE spec NDT-111B. The IX0519GB is highly damped and tuned for flaw detection. This transducer is used in the following inspections: P3TF22, P3TF30, P3TF35, P3TF42, Pratt and Whitney - SIM1 and Rolls Royce - RPS705.

5 MHz, 19mm diameter element, 6.5" Spherical Focus, to meet GE spec NDT-111B Group C, to resolve to #1 FBH @ 0.500" in Rene 95 with min. s/n of 20dB. Supplied with Full Documentation, RTWF/Spectrum, Flaw and Beam Profile and Certification to state "Manufactured in accordance with ASTM E1065".



TLC Ultrasound is a leading manufacturer and worldwide distributor of ultrasonic transducers.

860-354-6333 • www.tlcultrasound.com