



ULTRASOUND, INC.

# IMMERSION

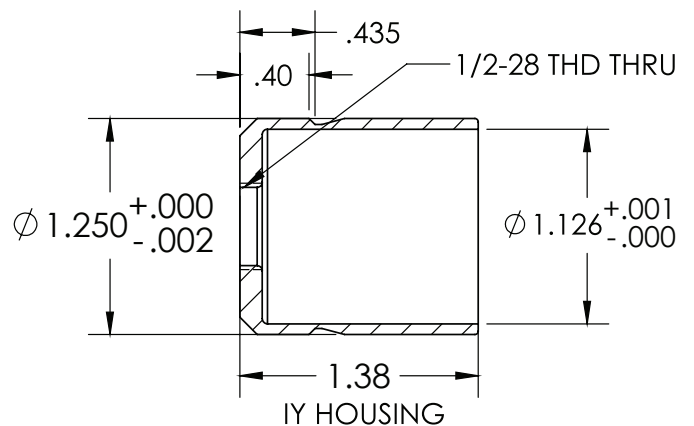
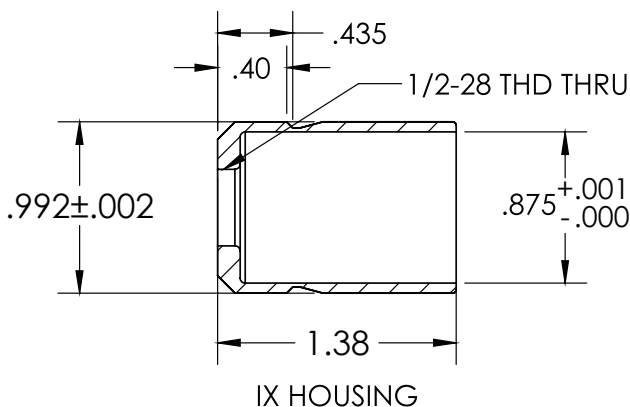
## TLC PART NUMBER:

- **IX1019GD6**  
10 MHz, 19mm diameter element, 6" Spherical Focus.
- **IX1019GD12**  
10 MHz, 19mm diameter element, 12" Spherical Focus.
- **IY1025GD6**  
10 MHz, 25mm diameter element, 6" Spherical Focus.
- **IY1025GD8**  
10 MHz, 25mm diameter element, 8" Spherical Focus.
- **IY1025GD10**  
10 MHz, 25mm diameter element, 10" Spherical Focus.
- **IY1025GD13**  
10 MHz, 25mm diameter element, 13" Spherical Focus.
- **IY1025GD16**  
10 MHz, 25mm diameter element, 16" Spherical Focus.



The unit is designed to meet group "D" per GE spec NDT-111B. The Group "D" probes are highly damped and tuned for flaw detection. These transducers are used for the following inspections: P3TF22, P3TF30, P3TF35, P3TF42, Pratt and Whitney - SIM1 and Rolls Royce - RPS705.

All of the above probes to meet GE spec NDT111B Group D. Supplied with Full Documentation, RTWF/Spectrum, Flaw and Beam Profile and Certification to state "Manufactured in accordance with ASTM E1065".



**TLC Ultrasound is a leading manufacturer and worldwide distributor of ultrasonic transducers.**

860-354-6333 • [www.tlcultrasound.com](http://www.tlcultrasound.com)