



ULTRASOUND, INC.

# IMMERSION

**PART:** IX0519GB

**TYPE:** IMMERSION

**DAMPING TYPE:** BB

**FREQUENCY:** 5 MHz. NOM

**ELEMENT:** .750"/19MM

**FOCAL LENGTH:** 6" SPH. FOC

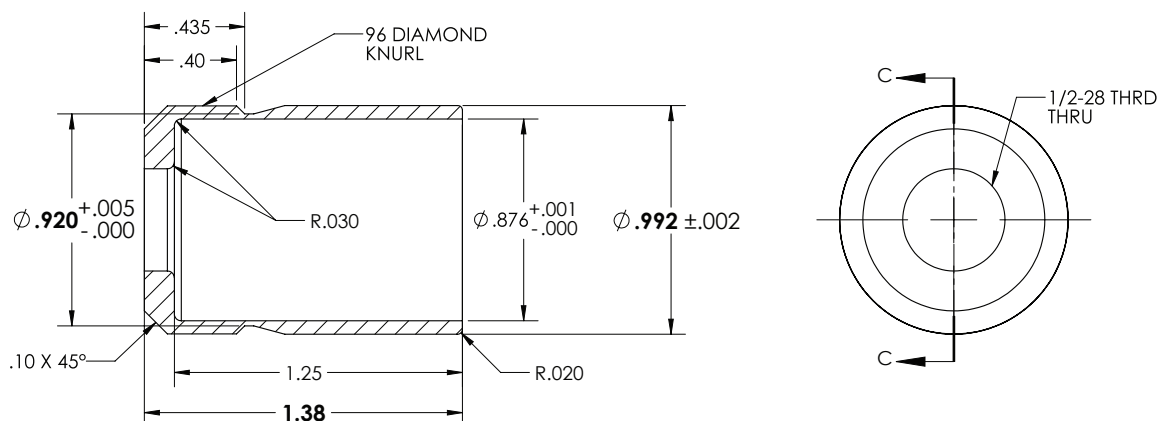
**HOUSING MATERIAL:** 316 S. ST.

**CONNECTOR:** UHF



This unit is designed to meet group "B" per GE spec NDT-111B. The IX0519GB is highly damped and tuned for flaw detection. This transducer is used in the following inspections: P3TF22, P3TF30, P3TF35, P3TF42, Pratt and Whitney - SIM1 and Rolls Royce - RPS705.

5 MHz, 19mm diameter element, 6" Spherical Focus, to meet GE spec NDT111B Group B, to resolve to #2 FBH @ 0.125" with min. s/n of 16 dB. Supplied with Full Documentation, RTWF/Spectrum, Flaw and Beam Profile and Certification to state "Manufactured in accordance with ASTM E1065".



**TLC Ultrasound is a leading manufacturer and worldwide distributor of ultrasonic transducers.**

860-354-6333 • [www.tlcultrasound.com](http://www.tlcultrasound.com)