



ULTRASOUND, INC.

# IMMERSION

**TLC PART NUMBER: IS1013PW**

**TYPE: IMMERSION**

**DAMPING TYPE: BB**

**FREQUENCY: 10 MHz**

**ELEMENT: .500"/13MM**

**FOCAL LENGTH: 5" SPH. FOC**

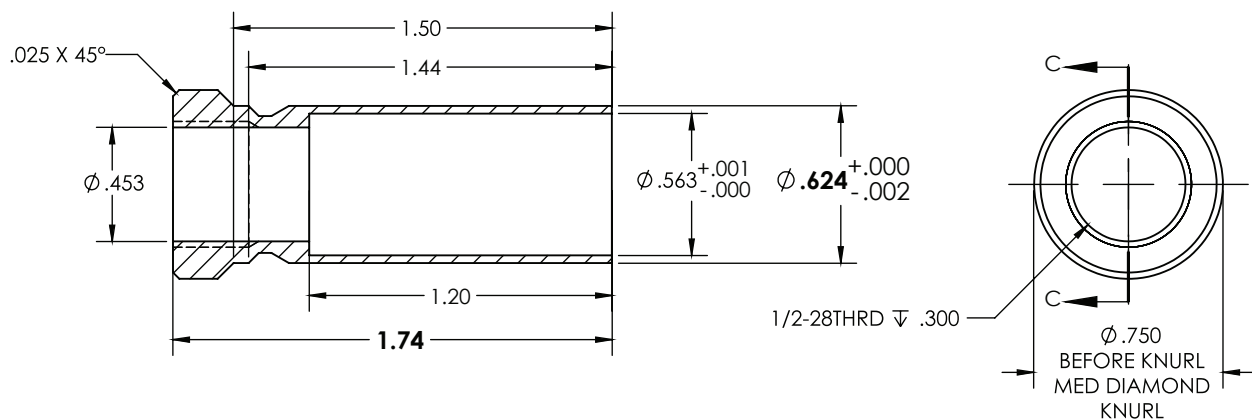
**HOUSING MATERIAL: 316 S. ST.**

**CONNECTOR: UHF**



This unit is designed to meet Pratt & Whitney Canada requirements.

10 MHz, 13MM diameter element, S-5" Focus, designed to meet Pratt & Whitney requirement of #1FBH @ .060" with a minimum signal



**TLC Ultrasound is a leading manufacturer and worldwide distributor of ultrasonic transducers.**

860-354-6333 • [www.tlcultrasound.com](http://www.tlcultrasound.com)